

RPO Series Pressure Recorders & Recorder Controllers

RPO-2003



These reliable and accurate instruments are suitable for most applications where there is a requirement for low cost pressure recording.

Up to 3 pens can be fitted with three pressure systems or combination of temperature, pressure or flow sensing systems.

FEATURES

- 1, 2 or 3 pen pressure recording and controlling at low cost
- Uses proven and reliable Rotothem pressure systems
- Simple installation and maintenance requirement
- Portable stand or pipe mounting available
- Fully mechanical versions available
- Electrical, battery or mechanical chart drive options
- Electrical control options
- Pneumatic control options

Pens

Fitted to the pen arms are disposable fibre tipped pens which are readily replaced without mess. Single pen recorders and the first pen of the two and three pen recorders trace in red ink, the second pen in blue, the third in green.

Control Options

Full pneumatic control is available on this range of recorders - for full details please refer to the Pneumatic recorder controller data sheet.

Electric Control / Alarm - One and two pen recorders in this range may be specified with electrical control options.

Specifications

ACCURACY

+/-1% FSD

AMBIENT TEMPERATURE

-20°C to +50°C

MEASURING ELEMENT

Bourdon tube or pressure capsule

CHART DRIVE

Synchronous electric, battery or mechanical spring wound. 24 hour or 7 day. (other rotations on request)

CHARTS

Disc 240mm (9.5 inches) diameter. Standard dividing 40, 50, 60, 70 or 80 linear divisions.

INKING SYSTEM

Disposable fibre tipped pens.

Single pen : Red.

2 pen : red & blue.

3 pen : red, blue and green.

CASE

Glass filled polyester resin. protection rated to IP55

WINDOW

Acrylic

POWER SUPPLY

200 to 250 volts, 50Hz (60Hz available);

100 to 110 volts, 50Hz (60Hz available);

Instruments without electrical control require no power supply provided that a clockwork chart drive is fitted. Battery operated chart drives require 1.5 volt type "C" cell.

ELECTRICAL ALARM AND CONTROL

Contact rating(when fitted) : 0.1A at 250V AC (non inductive)
0.01A at 250V DC (non-inductive)

Relay contact rating : 10A at 250V 50Hz

Contact adjustment range : 2% to 100%

CONNECTION

Standard 3/8" BSP male, with nut and tail pipe suitable for 6.35mm (1/4") outside diameter tube.

Portable 3/8" BSP male, with nut and tail pipe suitable for 6.35mm (1/4") outside diameter tube or 3/8" inside diameter tube.

Receiver Type 1/4" BSP female
(input 3-15 psi 0.2-1 Bar)

MOUNTING

Suitable for surface or panel mounting. (Pipe mounting and portable options available)

WEIGHT

Single pen : 6.5 kg (14.25lb) Two pen : 7.0 kg (15.5lb)

Three pen : 7.5 kg (16.75lb) Portable single pen : 8.6 kg (19 lb)

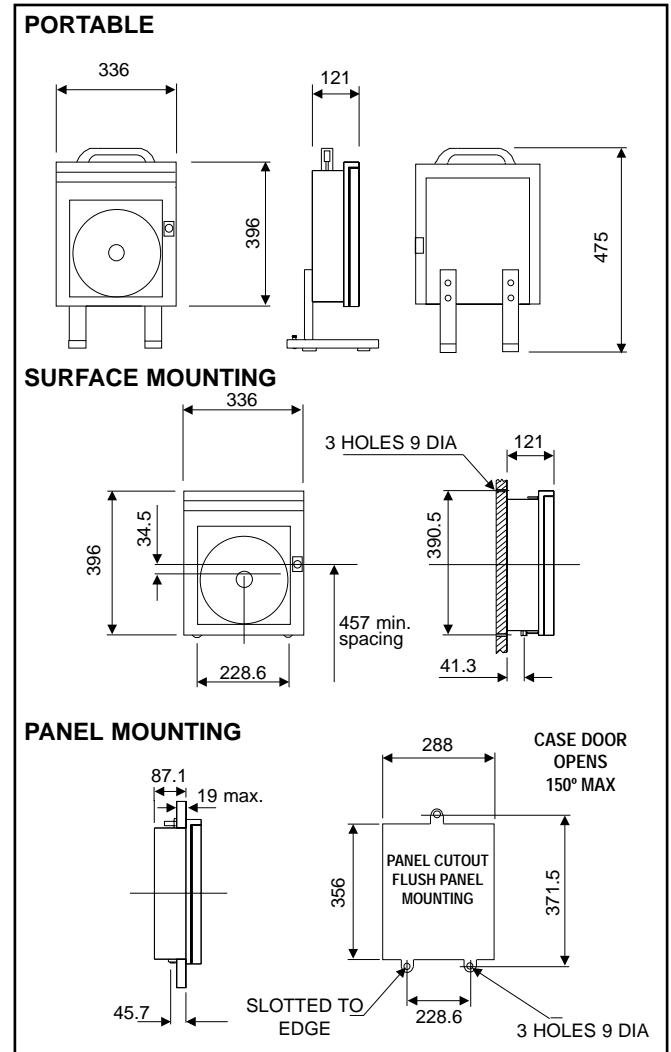
RPO Series Pressure Recorders & Recorder Controllers

Standard Pressure Ranges

Standard Range	Sensing Element Type	System Material
0 - 10" WG 0 - 15" WG 0 - 25" WG	Box Element	Beryllium Copper
-30 / +30" WG -50 / +50" WG 0 - 40" WG 0 - 60" WG 0 - 100" WG 0 - 160" WG	Open Stack	Beryllium Copper or Stainless Steel
0 - 30" Hg Vac 0 - 250" WG -15 / +15 Psi 0 - 15 Psi 0 - 20 Psi 0 - 25 Psi 0 - 30 Psi 0 - 40 Psi 0 - 60 Psi 0 - 80 Psi	Single Capsule	Beryllium Copper or Stainless Steel
3 - 15 Psi	Single Capsule	Beryllium Copper or Stainless Steel
0 - 6 Bar 0 - 10 Bar 0 - 16 Bar 0 - 25 Bar 0 - 40 Bar 0 - 60 Bar 0 - 100 Bar	Bourdon Tube	Phosphor Bronze or Stainless Steel
0 - 160 Bar 0 - 250 Bar 0 - 300 Bar 0 - 400 Bar 0 - 600 Bar 0 - 1000 Bar 0 - 1200 Bar 0 - 1600 Bar	Bourdon Tube	Phosphor Bronze or Stainless Steel

Calibration in other units of pressure are available.

Dimensions & Fixings



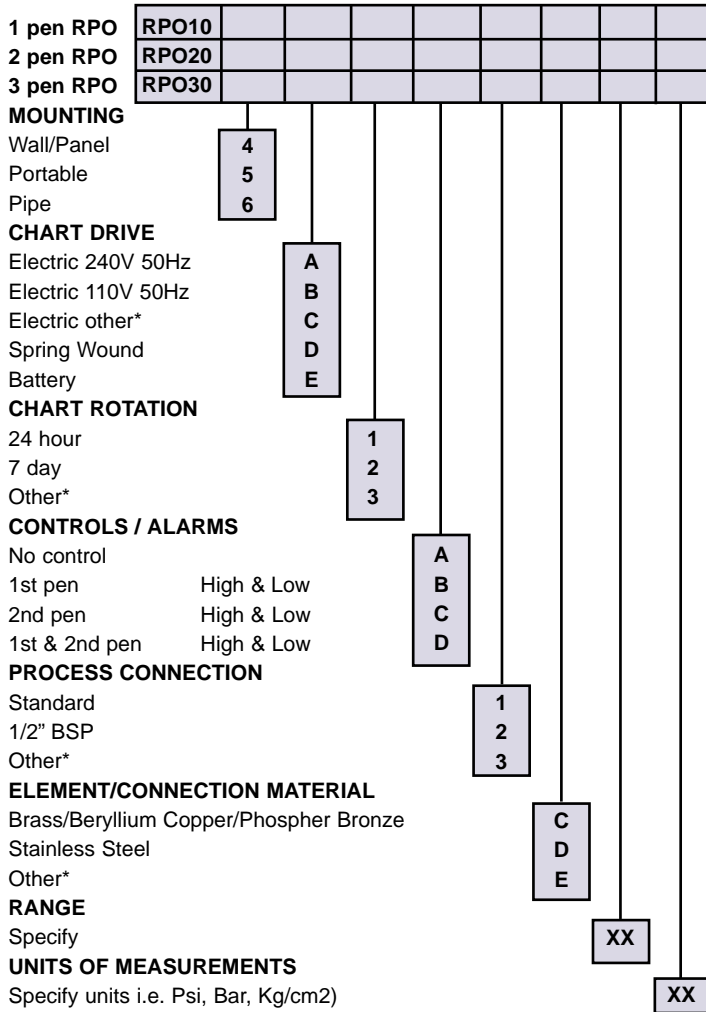
All dimensions are in mm. Drawings are for illustration purposes only.

Other Recorders & Controllers Available include:

- Temperature & Pressure Combined
- Temperature & Humidity
- Pressure & Differential Pressure
- Flow
- Level
- Electric Input Recorders - including programmable recorders
- Pneumatic Recorder Controllers

RPO Series Pressure Recorders & Recorder Controllers

Ordering Codes



World-Wide Reliability & Quality

Rototherm's high quality and performance is guaranteed by an uncompromising approach to quality. British Rototherm's policy has always been to maintain a consistently high level of quality and reliability throughout its product range and service to customers. The company has worked energetically towards establishing comprehensive quality controls and has earned a world-wide reputation for product quality.



ISO 9001

Notes

- (a) Where Other* is specified please add note to order code stating exact requirements
- (b) Should a combination of Pressure & Temperature be required please refer to the temperature recorder data sheet.
- (c) When specifying different ranges for 2 or 3 pen recorders, care should be taken to use standard/compatible charts ranges.

Single pen pressure recorder, wall mounted, electrical 240 volt 50Hz chart drive, 24 hour rotation, standard stainless steel connection, stainless steel element, range 0 to 10 bar.

RPO10 A 4 A 1 A 1 D 0-10 bar



Unit 3B Fishburn Industrial Estate
 Fishburn, Stockton-on-Tees, TS21 4AJ

Tel: 08702 405 183 enquiries@multiplexeng.co.uk
 Fax: 08702 405 184 http://www.multiplexeng.co.uk