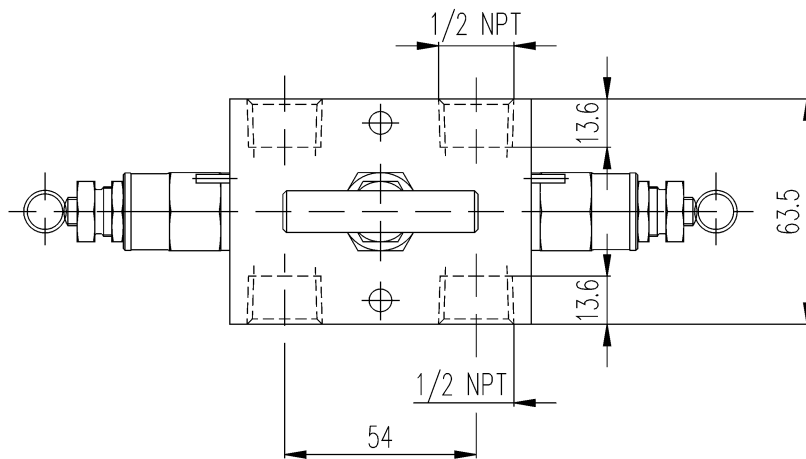
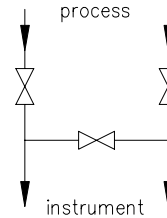
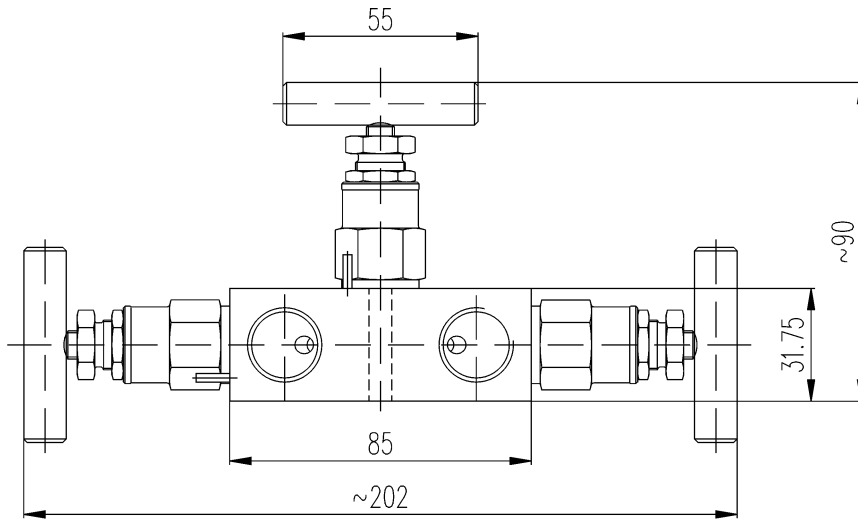
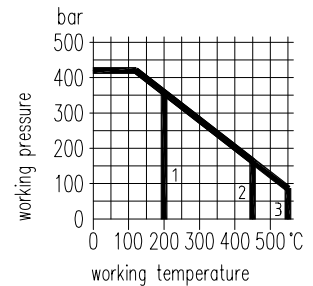


## 3 valve manifold PN 420 DN 5 for remote mounting



- 1 PTFE packing
- 2 graphite packing - 1.0460
- 3 graphite packing - 1.4404



MOUNTING ACCESSORIES see section 8

Material	Characteristics	Inlet and outlet	Part no.
steel st. stl.	<b>without</b> mounting holes	1/2 NPT female	50-V02-3-SC-50-PN420 50-V02-3-SS-50-PN420
steel st. stl.	<b>with</b> mounting holes	1/2 NPT female	50-V02-3X-SC-50-PN420 50-V02-3X-SS-50-PN420

Components	Steel	Stainless steel <sup>1)</sup>
	DIN-Material Number	
Body <sup>2)</sup>	1.0460	316L (1.4404)
Bonnet	316 (1.4401)	
Valve stem	316L (1.4404)	
Needle tip <sup>3)</sup>	1.4122 <sup>4)</sup>	316Ti (1.4571)
Packing	PTFE up to 200 °C (graphite up to 550 °C)	
Gland nut	304 (1.4301)	
T-handle	stainless steel	

- Surface: steel phosphatized
- External stem thread
- Stem with cold rolled surface, back seat and non-rotating needle tip
- Special types are available
- The manifolds can be supplied according to NACE-standard

<sup>1)</sup> Can also be supplied for oxygen service.

Please notice order instruction B 3!

<sup>2)</sup> Available with inspection certificate 3.1.B acc. to EN 10 204

<sup>3)</sup> Also available with soft tip in KEL-F® (PCTFE) or Delrin® (POM)

<sup>4)</sup> 1.4122 quenched and tempered