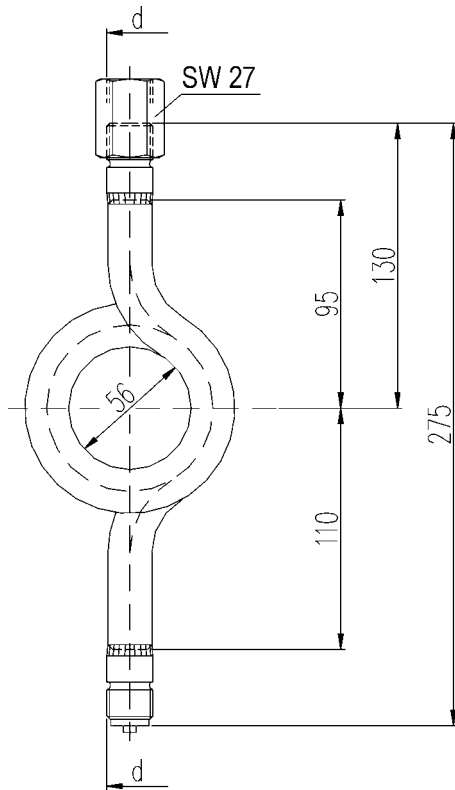


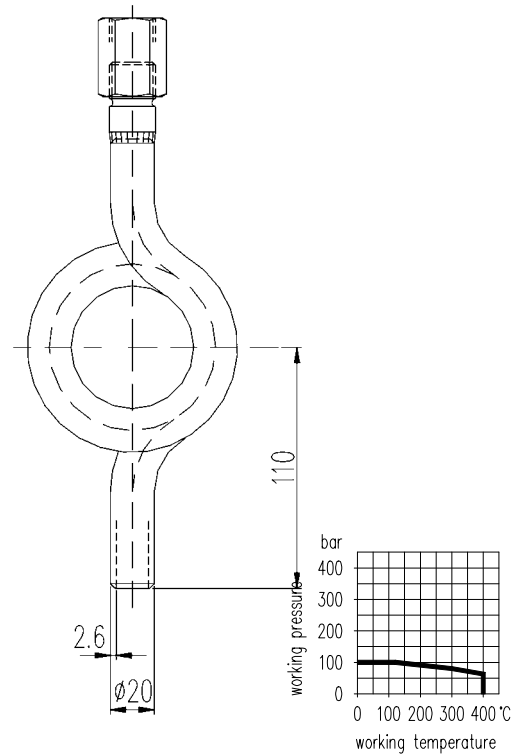
## Syphon for pressure gauges DIN 16 282

### syphons circular-shaped ("pigtail") for vertical tapping

**Design C (similar to DIN 16 282)**  
with male thread on process side



**Design D**  
with weld end on process side



Connection thread d	Material	Part no.	
		Design C	Design D
G 1/2	Steel St. st.	15-SIP02-C-SC-51 15-SIP02-C-SS-51	15-SIP02-D-SC-51 15-SIP02-D-SS-51
1/2 NPT	Steel St. st.	04-SIP02-C-SC-50 04-SIP02-C-SS-50	04-SIP02-D-SC-50 04-SIP02-D-SS-50

Material		max. working pressure bar	max. working temperature in front of the water syphon °C
Abbreviation			
10 St	St 35.8	100 80 63	120 300 400
20 St	316Ti (1.4571)		

Components	Steel	Stainless steel
	DIN-Material Number	
Tube 20 x 2,6 mm	St 35.8	316Ti (1.4571)
Male connector	Ck 15	316Ti (1.4571)

- Surface: steel phosphatized
- Range of application:  
For liquids, gas or steam
- Other materials, pressure / temperature ratings and connections on request