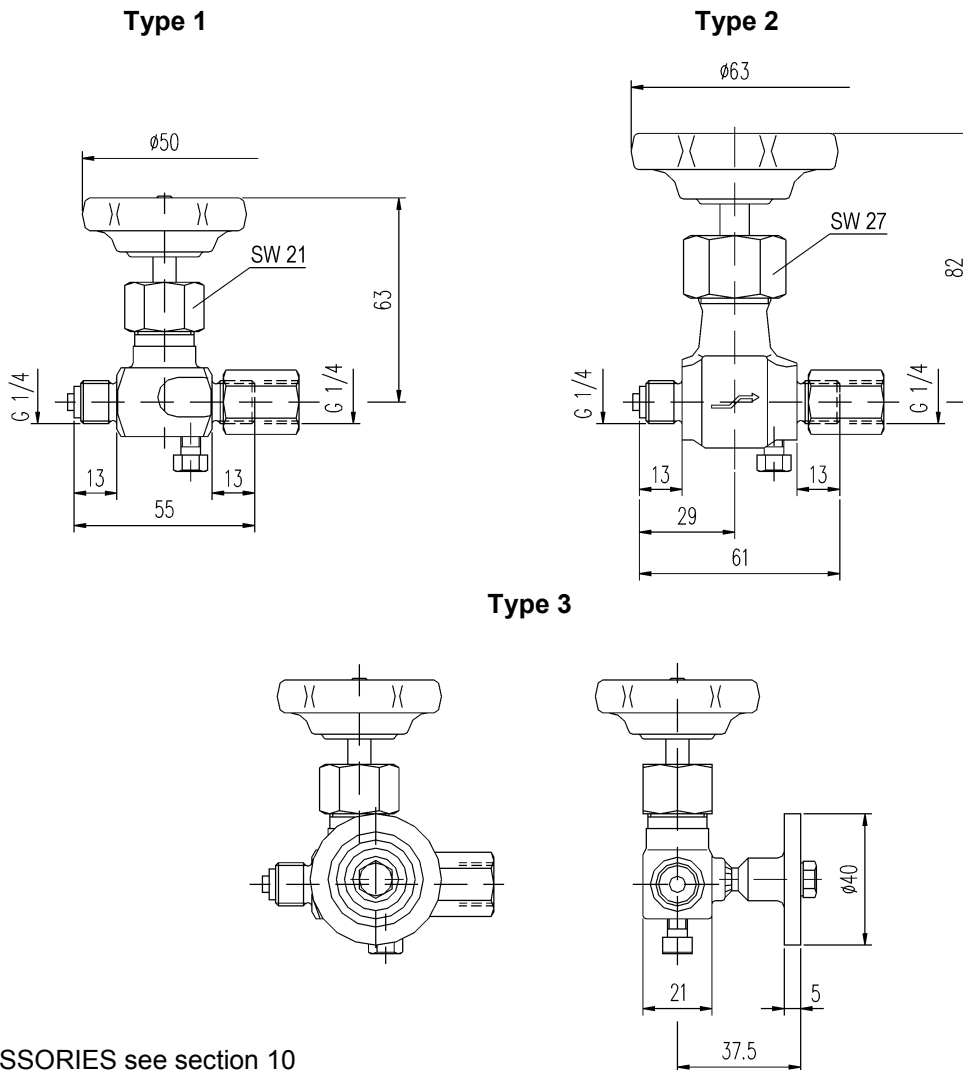


Pressure gauge valve male/female G 1/4



MOUNTING ACCESSORIES see section 10

PN	Type	Material	Temperature rating	Part no.
125	1	brass	-10 up to +120 °C	13-V02-1-MS-27-125
250	2	steel st. stl.	-10 up to +120 °C -20 up to +200 °C	13-V02-2-SC-27-250 13-V02-2-SS-27-250
125	3	brass	-10 up to +120 °C	13-V02-3-MS-27-125

Components	Brass ¹⁾	Steel	Stainless steel ¹⁾
	DIN-Material Number		
Body ²⁾	brass	1.0460	316Ti (1.4571)
Valve stem	brass	1.4104	316Ti (1.4571)
Needle tip	brass	1.4104	316Ti (1.4571)
Packing	PTFE		
Union nut	brass	steel	stainless steel
Adjusting nut	brass	steel	stainless steel
Vent screw	316Ti (1.4571)		
Hand wheel	plastic		

- **Body:** brass: pressed part
steel/stainless steel: die-pressed part
- **Surface:** steel phosphatized
- Internal stem thread

¹⁾ Can also be supplied for oxygen service.
Please notice order instruction B 3!

²⁾ Available with inspection certificate 3.1.B acc. to EN 10 204

All specifications are subject to change without notice.

G8.9.00/E Rev. B 17/10/2003