

Pressure switch series L and G

One or two independent setpoints

Accuracy: $\pm 1\%$

Features

- Stainless steel or aluminum housing
- Easy setpoint adjustment, with setpoint indication
- Protection IP54, IP66 or NEMA 4 and 4X (UL)
- Wetted parts available in several materials
- High proof pressure
- UL and CSA listed

Ranges

75 mbar up to 210 bar

30 inH₂O up to 3000 psi

Applications

Chemical and petrochemical industry

Machine and apparatus construction

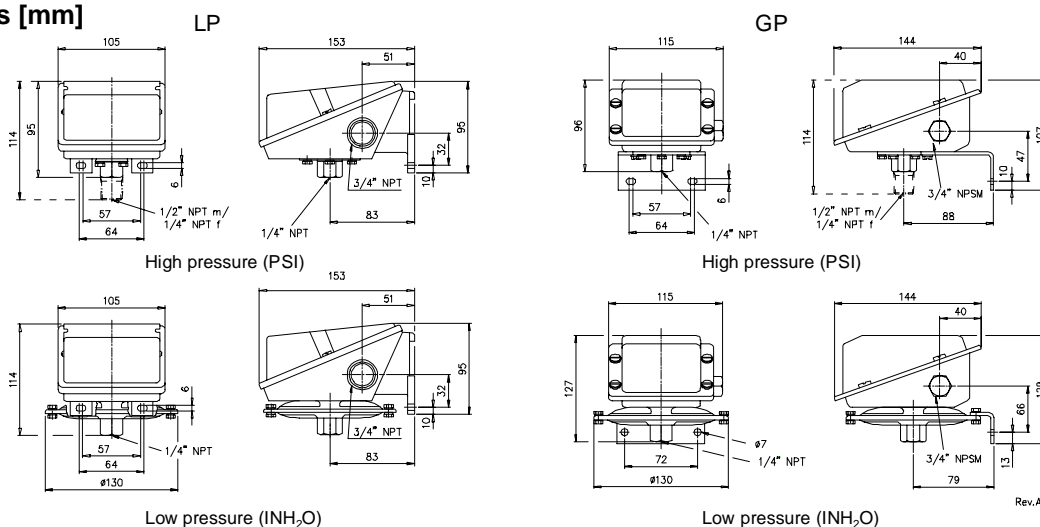
Food and beverage industry

Pulp and paper industry



Technical specification	L series			G series		
	LPA	LPD	LPS	GPA	GPD	GPS
Type	Weatherproof					
Construction	Weatherproof					
Switch (setpoint) functions	One single setpoint	Two setpoints independently adjustable	One single setpoint	One single setpoint	Two setpoints independently adjustable	One single setpoint
Deadband	Adjustable over 80%	Fixed	Fixed	Adjustable over 80%	Fixed	Fixed
Measuring principle	Diaphragm-piston-cylinder-system					
Range [mbar]	75	150	250	375		
Range [bar]	1	2	4	7	14	28
Limits (pressure ranges)						
Proof pressure [bar]	1,4	17	35	35	69	165
Burst pressure [bar]	2,4	28	69	103	207	207
Pressure type	Gauge, vacuum and compound					
Process connection	¼" NPT female, ½" NPT male/¼" NPT female (standard for ≥ 70 bar) ½" NPT female, G ½ B male, M20x1,5, others on request (metric connections with adapter)					
Connection location	Lower					
Material						
Pressure connection	Stainless steel AISI 316 (1.4401), optional Monel For mbar ranges steel epoxy coated standard, stainless steel on request					
Diaphragm	Buna N, Viton (max. 70 bar), Teflon, stainless steel AISI 316 (1.4401) or Monel (stainless steel and Monel only from ≥ 1 bar to ≤ 70 bar)					
Housing	Aluminum, epoxy coated grey			Stainless steel AISI 316 (1.4401)		
Accuracy	1% F.S.					
Electrical specification						
Microswitch ratings	From 500 mA 28 VDC up to 20 A 250 VDC (see microswitch table)					
Electrical connection	¾" NPT female, optional cable glands, ½" NPT with reducer bushing, M20x1,5, others on request					
General specification						
Permissible						
Ambient temperature	-25 ... 60°C					
Medium temperature	Buna N and Teflon -18 ... 65°C, Viton -7 ... 150°C, Stainless steel and Monel -18 ... 150°C					
Storage temperature	-40 ... 60°C					
Effect	max. 0,4% / 10 K ref. 20°C					
Protection according UL	NEMA 4 and 4X					
Protection according EN 60 529/IEC 529	IP54, optional IP66					
CE-mark	Low voltage regulations EN 61 010-1, EN 60 947-1					
Mounting	Standard stem, wall (BP) or 2" pipe mounting (TM)					
Weight mbar/bar [kg]	1,8/1,4			1,6/1,2		
Accessories, options	Diaphragm seals, valves, adapters, NACE					

General dimensions [mm]



Order information

single dual	Switch element Description	Actuator seal	Range	Engineering unit	Protection	Process connection	Electrical connection	Options
	LPA GPA	(B) Buna N ¹⁾	-30/ 0 -30/ 15	INHG/PSI	(UL) Standard	(25) ¼" NPT female	(=) Standard	(NH) Tagging wired
(H)	General purpose ¹⁾ (10 A 250 VAC, 6 A 30 VDC)	(V) Viton ²⁾	30	INH2O	(IP) IP54	(06) ¼" NPT female/ ½" NPT male ¹⁾	(JL) ¾" to ½" NPT female reducing bushing	(FS) Factory adjusted setpoint
(J)	Hermetically sealed ¹⁾ (11 A 250 VAC, 5 A 28 VDC)	(T) Teflon ¹⁾	60 100 150		(IP65) IP66			(6B) Oxygen cleaned (not for Buna N diaphragm)
	LPS LPD GPS GPD	(S) AISI 316 (1.4401) ³⁾	15	PSI		(07) ½" NPT female	Only for protection IP/IP65	
(C)	Heavy duty AC (22 A 250 VAC)	(P) Monel ³⁾	30 60 100 200 400 600 1000 2000 3000			(15) G ½ B male ²⁾	(M20) ¾" NPT to M20x1,5 female reducing bushing	(TM) 2" pipe mounting bracket
(F) (FF)	Sealed environment proof (15 A 250 VAC)					(16) M20x1,5 male ²⁾	(KV2) Plastic cable gland IP65, PG11	(TA) AISI 316 (1.4401) pressure connection for inH ₂ O ranges
(G) (GG)	General purpose ¹⁾ (15 A 250 VAC, 6 A 30 VDC)						(KV3) Plastic cable gland IP65, PG13,5	(BP) Wall mounting bracket for inH ₂ O ranges
(J) (JJ)	Hermetically sealed general purpose ¹⁾ (11 A 250 VAC, 5 A 28 VDC)						(KV4) Plastic cable gland IP65, PG16	(MD) Metric ranges
(K) (KK)	Narrow deadband (15 A 250 VAC)						(KV52) Plastic cable gland PG13,5	(2C) DPDT with single set point adjustment (only available with LPS/GPS)
(L) (LL)	Hermetically sealed gold contacts (1 A 125 VAC) (for use in intrinsically safe circuits)							
(M) (MM)	Low level (gold) contacts (1 A 125 VAC)							
(P) (PP)	Hermetically sealed, narrow deadband (5 A 250 VAC)	¹⁾ max. medium temperature -18 ... 65°C						
(S)	Heavy duty DC (10 A 125 VAC/VDC)	²⁾ max. medium temperature -7 ... 150°C max. range 1000 psi						
(W) (WW)	Ammonia service (5A 250 VAC, 6 A 30 VDC) ¹⁾	³⁾ max. medium temperature -18 ... 150°C only ranges from 15 to 1000 psi						
(Y) (YY)	High temp. (max. 150°C) (15 A 250 VAC)							
	¹⁾ VDC rating not UL listed			Note the range can also be specified in mbar or bar		¹⁾ standard for ranges ≥ 1000 psi ²⁾ with Adapter		

How to order

Type	Switch element	Actuator seal	Range	Engineering unit	Protection	Process connection	Electrical connection	Option
LPD	GG	B	100	PSI	IP	25	JL	NH