



## *High Purity Gauge Type HPGG (2-inch)*

*The Ashcroft® HPGG offers a proven pressure measurement solution for many CDA and non-critical semiconductor industry applications.*



### ***Gauge Features***

Less than half the dead volume and wetted surface area of other 2 inch gauges.

All-stainless steel wetted surface, movement and external construction.

Exceeds ASME B40.1 Level IV hydrocarbon and particle contribution guidelines. Packaged in a Class 100 environment.

### ***Gas System Benefits***

➔ Reduced deadleg for faster purge and drydown

➔ Superior corrosion resistance, reliable performance and long life.

➔ Reduces the possibility of particle introduction to either the process gas delivery system or your cleanroom.



**ISO 9001**  
REGISTERED FIRM

**INSTRUMENT**

# High Purity Gauge Type HPGG



## Product Specifications

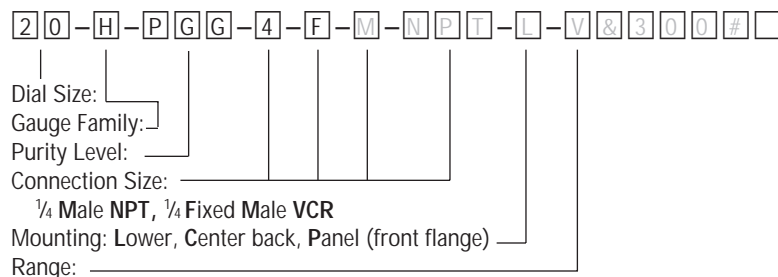
**Size:** 2" (50mm)  
**Case:** 304 SS polished. Pressure safety relief in rear  
**Window:** One piece. Snap-on polycarbonate  
**Pointer:** Black aluminum, adjustable.  
**Dial:** Aluminum, high resolution white with black graduations  
**Accuracy:** 1% F.S. (Ranges 2000 through 4000 psi 2% F.S.)  
**Available Scales:** Psi, Bar, kPa (single or dual scale)  
**Movement:** 300 Series stainless steel  
**Socket :** <25 Ra 316L stainless steel  
**Bourdon Tube:** <25 Ra seamless 316L stainless steel  
**Proof Pressure:** 15#-1000# 130% F.S.; 1000#-4000# 110% F.S.  
**Burst Pressure:** 15#-600# 10 x F.S.; 1000#-4000# 2 x F.S.  
**Helium Leak Integrity:** Less than  $1 \times 10^{-7}$  scc/sec (inboard)  
**Mounting:** Center back, lower connect and panel mount.  
 Consult factory for other mounting options

## Pressure Connections:

1/4 male NPT or fixed male VCR  
 Consult factory for other pressure connections

**Average Weight:** Approximately 5.5 oz

## How to Order:



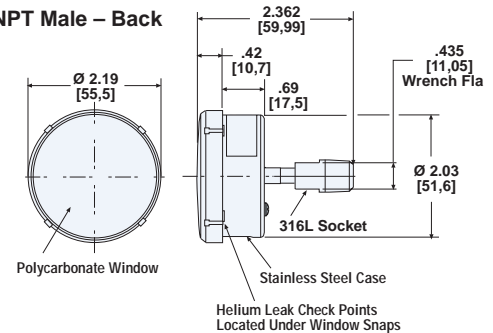
## Ranges:

Range (V) InHg	Range (#) Psig	Number Interval		Minor Graduation Subdivision	
		InHg	Psig	InHg	Psig
30"		3		.5	
30" &	0-15	5	3	1	.5
30" &	0-30	10	5	1	.5
30" &	0-60	10	10	2	1
30" &	0-100	10	10	2	1
30" &	0-160	30	20	5	2
30" &	0-200	30	20	5	2
30" &	0-300	30	30	5	5
	0-15		1		.2
	0-30		3		.5
	0-60		5		1
	0-100		10		1
	0-160		20		2
	0-200		20		2
	0-300		30		5
	0-600		100		10
	0-1000		100		10
	0-1500		300		20
	0-2000		200		20
	0-3000		300		50
	0-4000		500		50

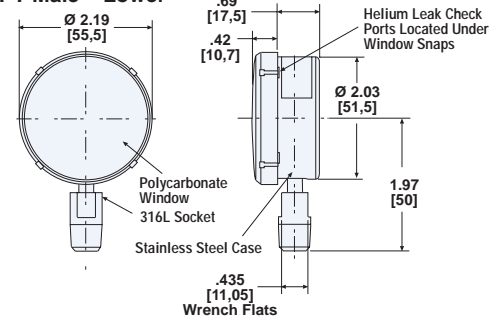


## Dimensions

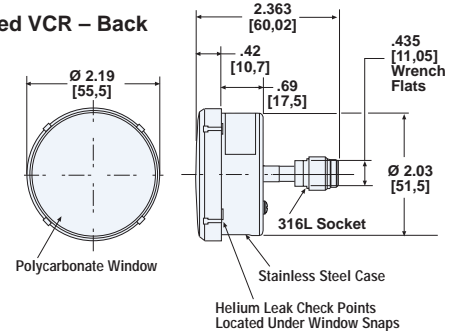
### 1/4 NPT Male – Back



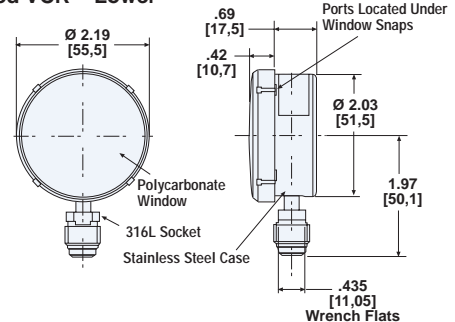
### 1/4 NPT Male – Lower



### Fixed VCR – Back



### Fixed VCR – Lower



© Dresser Instrument Division,  
 Dresser Equipment Group, Inc. 9/98  
 Specifications subject to change without  
 notice. Subject to standard terms and  
 conditions of sale. 5M SP 2P-5/99

\*Trademark of Cajon Co. ASHCROFT® and True Zero™  
 are trademarks of Dresser Instrument Division, Dresser Equipment Group, Inc.