

Capsule type pressure gauge

Model N5500

According EN 837-3
 Nominal size 100 mm or 160 mm
 Accuracy: Class 1,6 EN 837-3

Features

- Stainless steel construction
- Suitable for corrosive environments
- Usable to full scale
- Overload protection up to 10 times F.S.
- Adjustment at back side of the case

Ranges

-6 ... 0 mbar up to 0 ... 400 mbar
 -2,5 ... 0 in. H₂O up to 0 ... 150 inH₂O

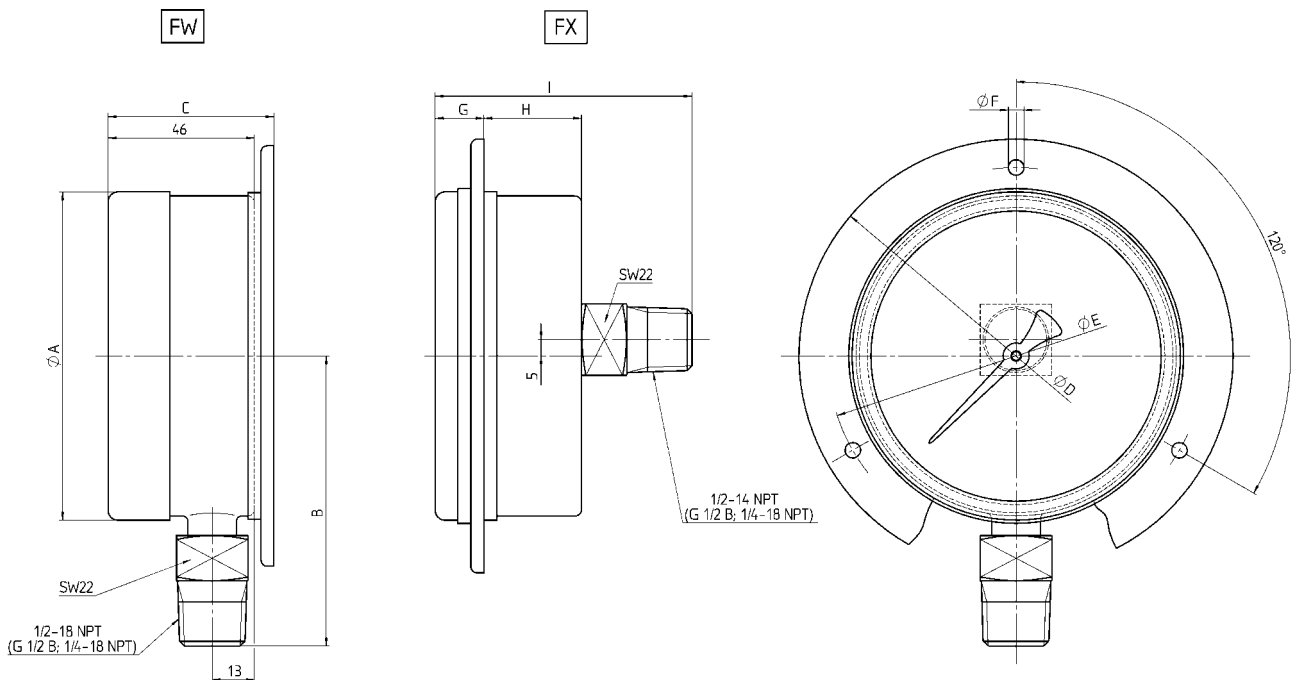
Applications

Chemical and petrochemical industry
 Air conditioning
 Food and beverage industry
 Machine and apparatus construction



Technical specification	N5500																
	100	160															
Dial size [mm]	100	160															
Construction	Open front cylindrical case, optional with blow out disc at the back																
Zero adjustment	Externally, at the back side of the case																
Measuring principle	Capsule																
Range [mbar]	<table style="display: inline-table; border: none;"> <tr> <td style="border: none;">25</td><td style="border: none;">40</td><td style="border: none;">60</td><td style="border: none;">100</td><td style="border: none;">160</td><td style="border: none;">250</td><td style="border: none;">400</td><td style="border: none;">-25/0</td><td style="border: none;">-40/0</td><td style="border: none;">-60/0</td><td style="border: none;">-100/0</td><td style="border: none;">-160/0</td><td style="border: none;">-6/0</td><td style="border: none;">-10/0</td><td style="border: none;">-16/0</td> </tr> </table>		25	40	60	100	160	250	400	-25/0	-40/0	-60/0	-100/0	-160/0	-6/0	-10/0	-16/0
25	40	60	100	160	250	400	-25/0	-40/0	-60/0	-100/0	-160/0	-6/0	-10/0	-16/0			
Overpressure limit	Continues service up to maximum rating, alternating service up to 90% F.S. Optional overrange protected up to 10 times F.S. (max. 2 bar)																
Pressure type	Gauge, vacuum and compound																
Process connection	G ¼ B male, G ½ B male, M20x1,5 male ¼ NPT male, ½ NPT male, according ANSI/ASME B1.20.1/EN 837 Others on request																
Connection location	Lower, back																
Material	<table style="display: inline-table; border: none;"> <tr><td style="border: none;">Pressure connection</td><td style="border: none;">Stainless steel 316Ti (1.4571)</td></tr> <tr><td style="border: none;">Capsule</td><td style="border: none;">Stainless steel 316 (1.4401)</td></tr> <tr><td style="border: none;">Case/bayonet ring</td><td style="border: none;">Stainless steel 304 (1.4301), optional 316 (1.4401)</td></tr> <tr><td style="border: none;">Window</td><td style="border: none;">Instrument glass, optional laminated safety glass or acrylic glass</td></tr> <tr><td style="border: none;">Dial</td><td style="border: none;">Aluminum, black markings on white background</td></tr> <tr><td style="border: none;">Pointer</td><td style="border: none;">Aluminum, black, optional red set hand or maximum pointer</td></tr> <tr><td style="border: none;">Movement</td><td style="border: none;">Nickel plated brass</td></tr> </table>		Pressure connection	Stainless steel 316Ti (1.4571)	Capsule	Stainless steel 316 (1.4401)	Case/bayonet ring	Stainless steel 304 (1.4301), optional 316 (1.4401)	Window	Instrument glass, optional laminated safety glass or acrylic glass	Dial	Aluminum, black markings on white background	Pointer	Aluminum, black, optional red set hand or maximum pointer	Movement	Nickel plated brass	
Pressure connection	Stainless steel 316Ti (1.4571)																
Capsule	Stainless steel 316 (1.4401)																
Case/bayonet ring	Stainless steel 304 (1.4301), optional 316 (1.4401)																
Window	Instrument glass, optional laminated safety glass or acrylic glass																
Dial	Aluminum, black markings on white background																
Pointer	Aluminum, black, optional red set hand or maximum pointer																
Movement	Nickel plated brass																
Accuracy	Class 1,6 (1,6% F.S.)																
Permissible	<table style="display: inline-table; border: none;"> <tr><td style="border: none;">Ambient temperature</td><td style="border: none;">-25 ... 60°C</td></tr> <tr><td style="border: none;">Medium temperature</td><td style="border: none;">max. 100°C</td></tr> <tr><td style="border: none;">Storage temperature</td><td style="border: none;">-40 ... 60°C</td></tr> <tr><td style="border: none;">Effect</td><td style="border: none;">max. 0,5% / 10 K</td></tr> </table>		Ambient temperature	-25 ... 60°C	Medium temperature	max. 100°C	Storage temperature	-40 ... 60°C	Effect	max. 0,5% / 10 K							
Ambient temperature	-25 ... 60°C																
Medium temperature	max. 100°C																
Storage temperature	-40 ... 60°C																
Effect	max. 0,5% / 10 K																
Protection according EN 60 529/IEC 529	IP45																
Mounting	Standard stem, optional flush or surface, others on request																
Weight [kg]	0,8	1,2															
Accessories, options	Valves, pressure limiters																

General dimensions [mm]



	A	B	C	D	E	F	G	H	I
NG100	102	88	51	132	116	5,5	14	37	75
NG160	162	119	50	196	178	6,5	15	32	85

Rev. D

Order information

Size	System material	Process connection	Connection orientation	Range	Engineering units	Case material	Options
(100) 100 mm	(S) Capsule 316 (1.4401) connection 316Ti (1.4571)	(02) ¼ NPT male	(L) Lower	-6/ 0 ¹⁾	(MBAR)	(=) Standard	(NH) Tagging wired
(160) 160 mm		(04) ½ NPT male	(B) Back	-10/ 0 ¹⁾			
	(13) G ¼ B male		-16/ 0 ¹⁾	(YW) Case material 316 (1.4401)		(CS) Dual scale	
	(15) G ½ B male		-25/ 0			(DA) Dial marking	
	(16) M20x1,5 male		-40/ 0			(RB) Blow out disc	
			-60/ 0			(EP) Maximum pointer adjustable	
			-100/ 0			(PD) Acrylic glass	
			-160/ 0			(SG) Safety glass	
			-250/ 0			(HP) Overpressure load 10 times (max. 2 bar)	
			-400/ 0			(SH) Red set hand stationary	
			0/ 6 ¹⁾			(FW) Back flange	
			0/ 10 ¹⁾			(FX) Front flange (only back connection)	
			0/ 16 ¹⁾				
			0/ 25				
			0/ 40				
			0/ 60				
			0/ 100				
			0/ 160				
			0/ 250				
			0/ 400				
			¹⁾ only dia. 160 mm		psi and others on request		

How to order

Size	Type	System material	Process connection	Connection orientation	Range	Engineering unit	Case material	Option
160	N5500	S	15	L	0/6	MBAR	=	NH